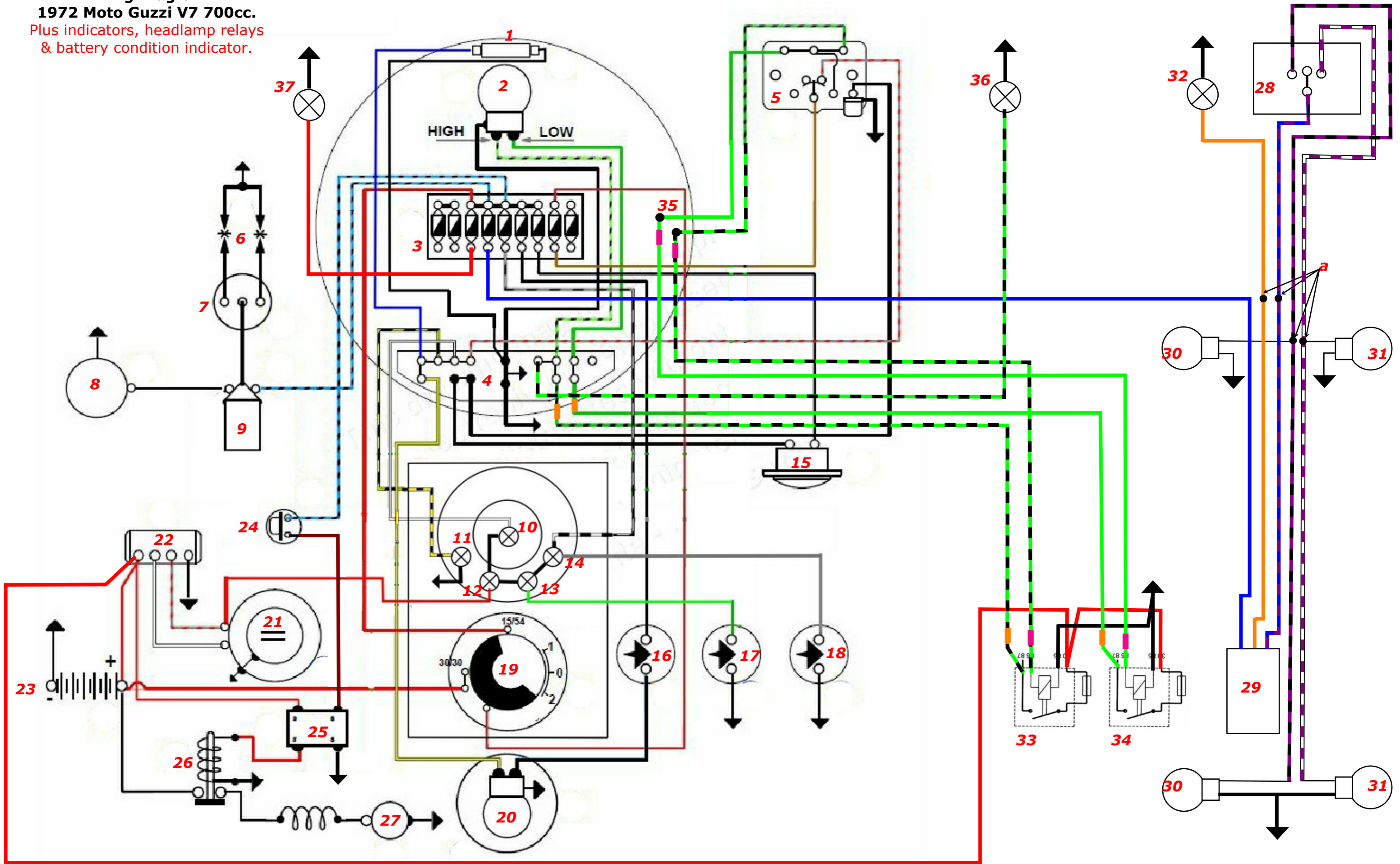


EOG 602K.
Wiring Diagram.
1972 Moto Guzzi V7 700cc.
 Plus indicators, headlamp relays & battery condition indicator.



LEGEND

- 1 - Parking light.
- 2 - Headlamp.
- 3 - Fuse block.
- 4 - Distribution block.
- 5 - Lights switch and horn button.
- 6 - Spark plugs.
- 7 - Distributor.
- 8 - Contact breaker.
- 9 - Ignition coil.
- 10 - Speedometer back light.
- 11 - Lights on indicator.
- 12 - Low charge light.
- 13 - Neutral light.
- 14 - Oil pressure light.
- 15 - Horn.
- 16 - Brake light switch.
- 17 - Neutral indicator switch.
- 18 - Oil pressure switch.
- 19 - Ignition switch.
- 20 - Tail and brake light.
- 21 - Generator.
- 22 - Regulator.
- 23 - Battery.
- 24 - Starter button.
- 25 - Starter relay.
- 26 - Starter solenoid.
- 27 - Starter motor.
- 28 - Indicator switch.
- 29 - Indicator relay.
- 30 - LH indicators.
- 31 - RH indicators.
- 32 - Indicator repeater.
- 33 - High beam fused relay.
- 34 - Low beam fused relay.
- 35 - Connectors for diverted headlamp wiring.
- 36 - Main beam warning light.
- 37 - Battery condition lamp.

a - Connectors in headlamp.

IGNITION SWITCH POSITIONS

- 0 - Off.
- 1 - Park - 30/30 Int.
- 2 - Run - 30/30 Int. 15/54.

Tags on headlamp circuit wiring.

- Switch to relay wires.
- Load wires - Relay to headlamp.